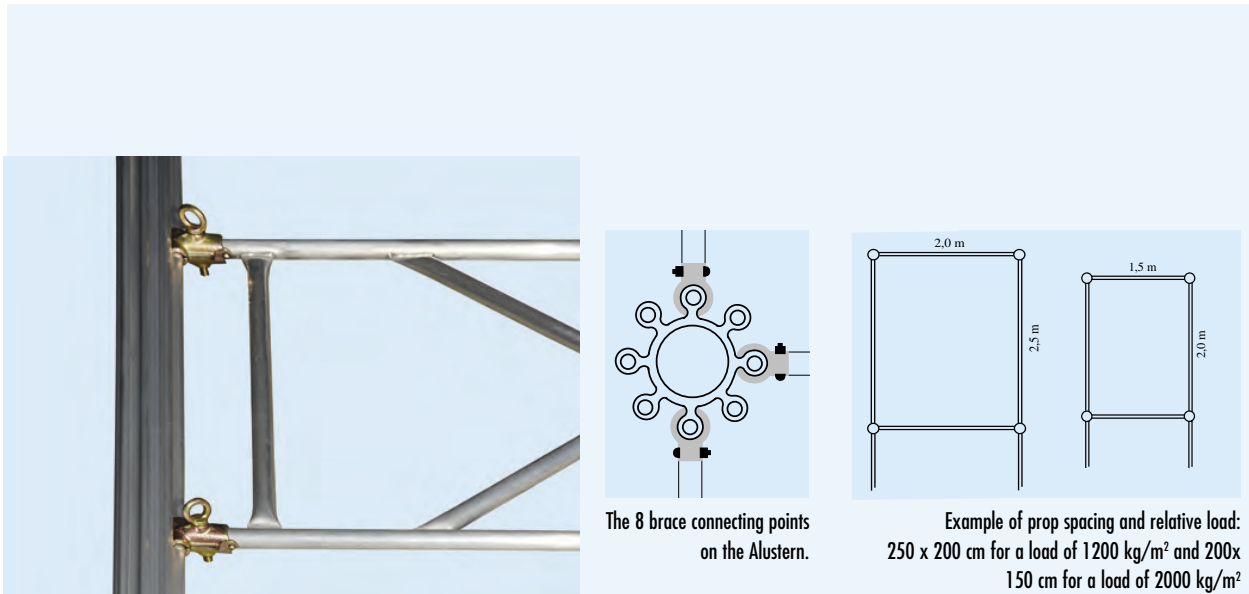


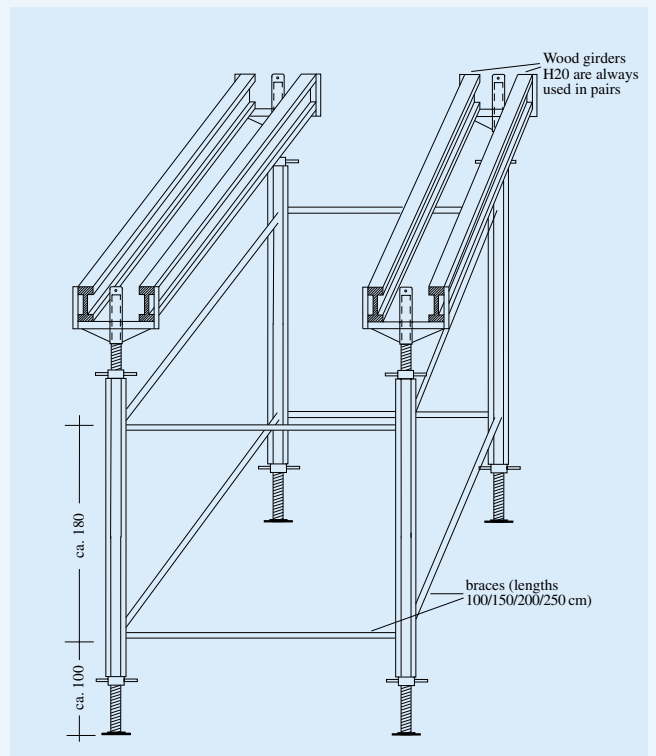
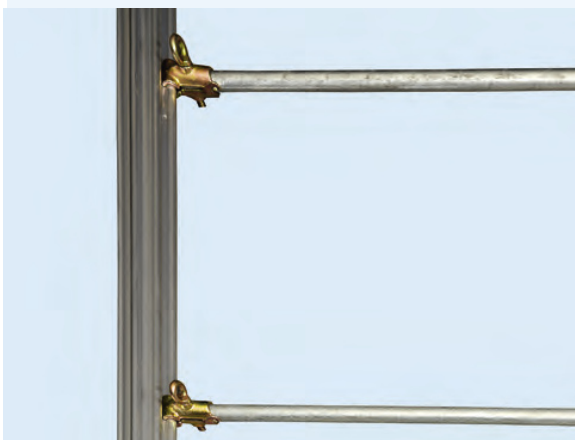
Versatility of use

The Alustern props are raised in parallel rows and are connected with horizontal and diagonal braces. They can be used for a multitude of purposes in the domestic, industrial and roadwork construction sectors.



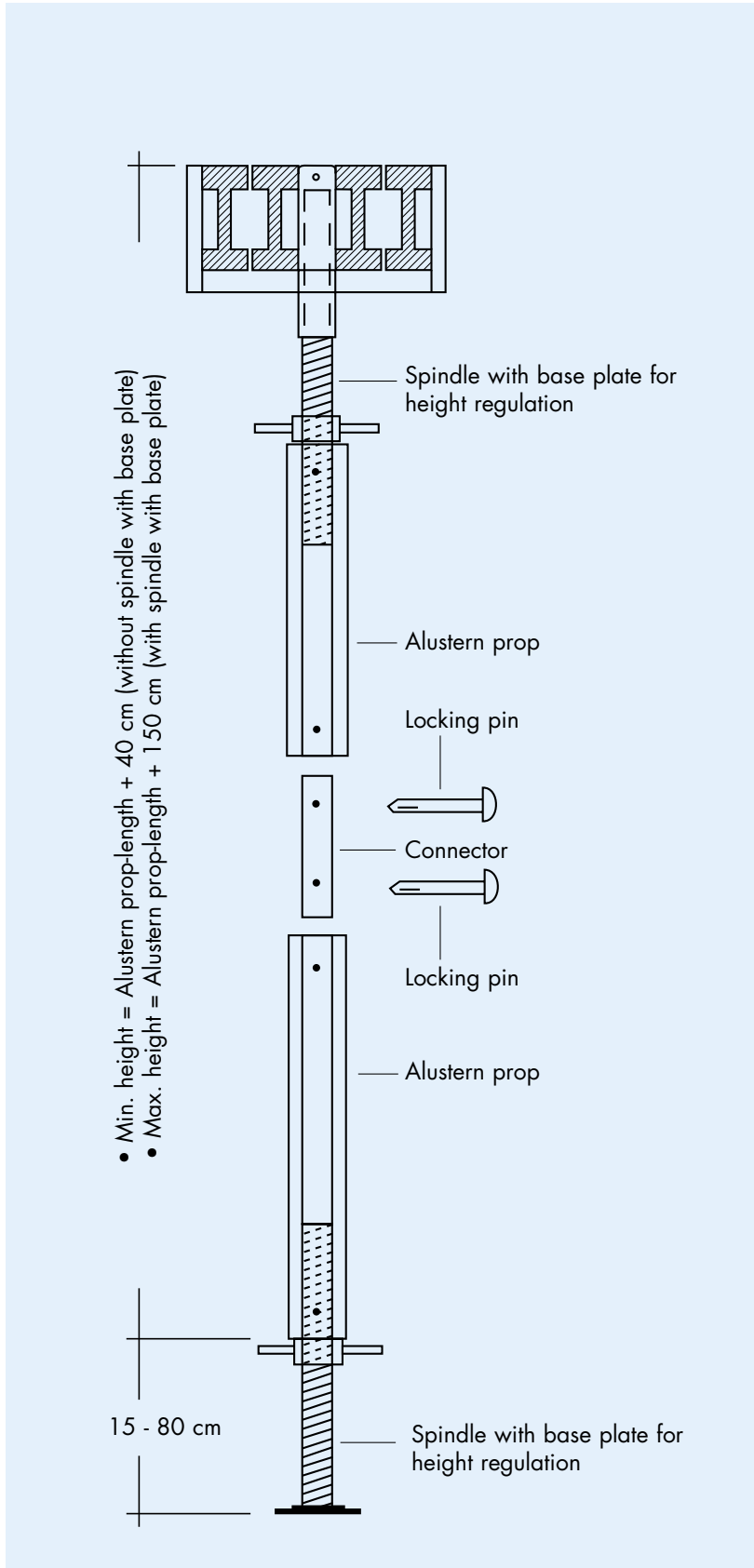
Alustern props can be used singly or as part of a stacked support frame.

The connector frames and distance tubes can be attached to any point on the ALUSTERN frame.



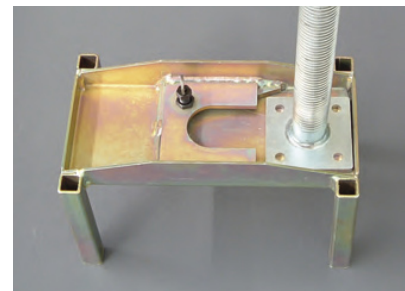
System assembly: The single props are connected using horizontal and diagonal braces in

Assembly Alustern prop

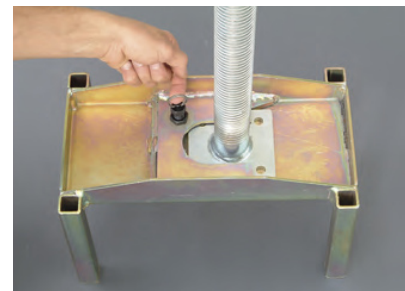


The Alustern system is composed of a small number of components. Height can be adjusted. Safe load per prop is 6000 kg up to a height of 5 m. From 5 to 10 m the max load is 4500 kg (a tower with at least 4 props with horizontal and diagonal braces).

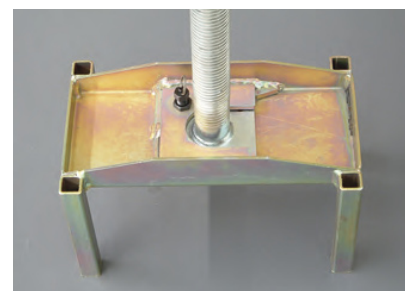
Connection of the prop-head to the spindle with base plate



3. Insert spindle with base plate into the appropriate position



4. Lift locking pin



5. The spindle with base plate is connected to the prop-head