



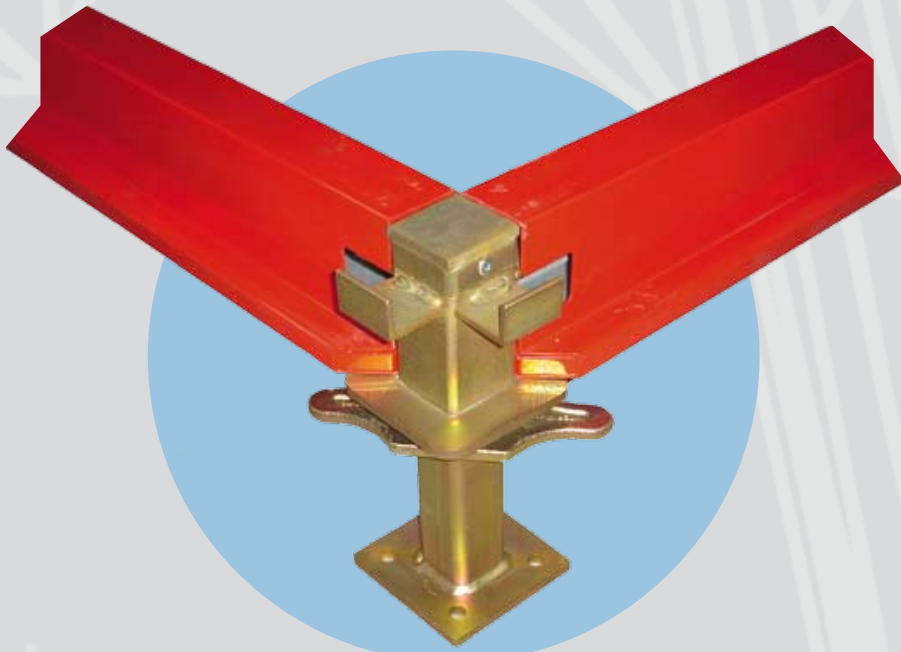
Schalsysteme · Sistemi di cassetta
Formwork systems

Application

FORMWORK SOLUTIONS VELOX

Formwork for horizontal pouring

VELOX



VELOX, the formwork for concrete slabs

Intelligent construction systems

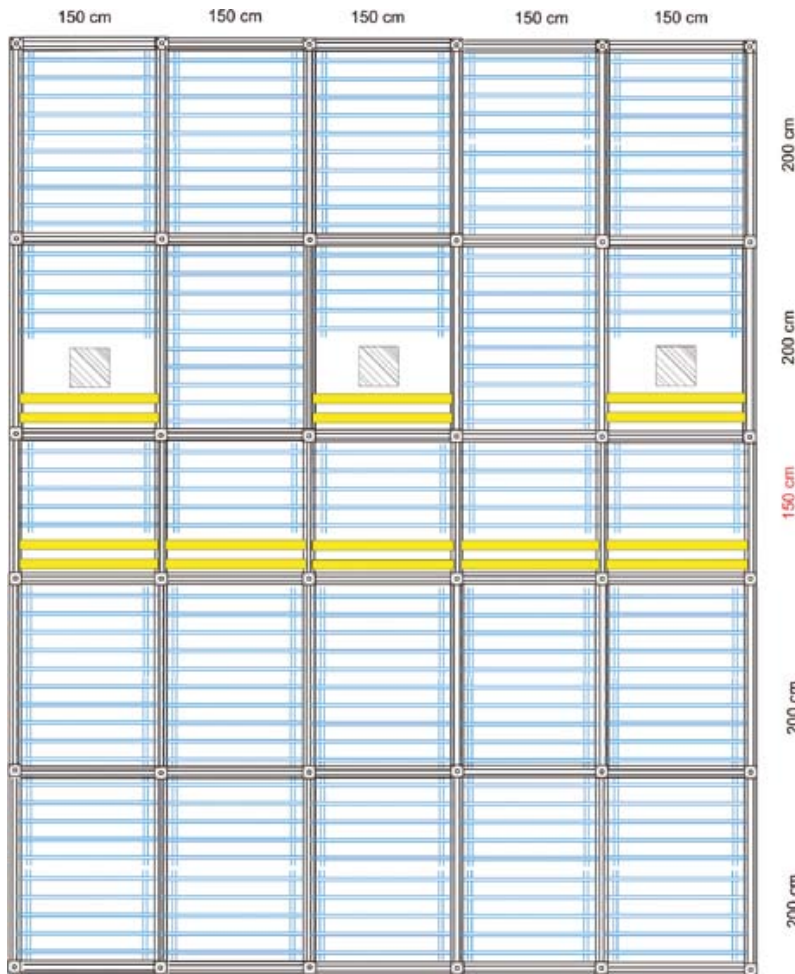


Schalsysteme · Sistemi di cassetta
Formwork systems

Application

FORMWORK SOLUTIONS VELOX

Versatility of use through simple changing of the grid while guaranteeing full load capacity



When installing the formwork system, the standard grids (200x150 cm) can intersect with walls or columns.

In this case the grid will be reduced to 150x150 cm: further formwork is subsequently possible using the standard grid.



Assembly time is substantially reduced.





Schalsysteme · Sistemi di cassetta
Formwork systems

Application

FORMWORK SOLUTIONS VELOX

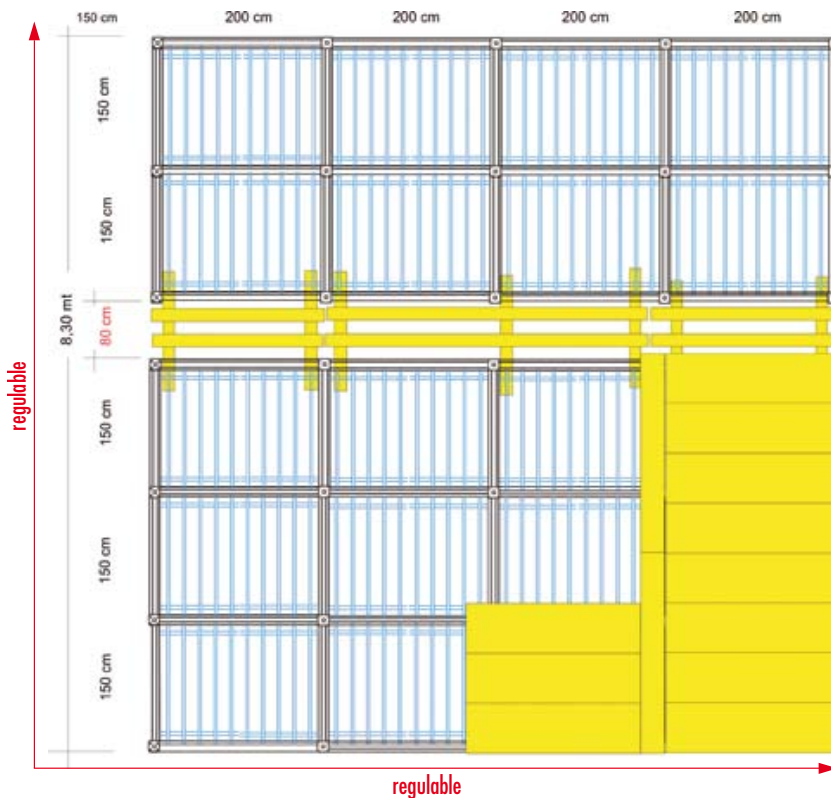
Flexible use of compensation clamps in intersections

The practical compensation clamp permits quick forming of intersections without further accessories.



Compensation in intersections

The compensation clamp is hung on a beam 200/150 cm, another beam or a square wooden beam is inserted and the intersection can be compensated.

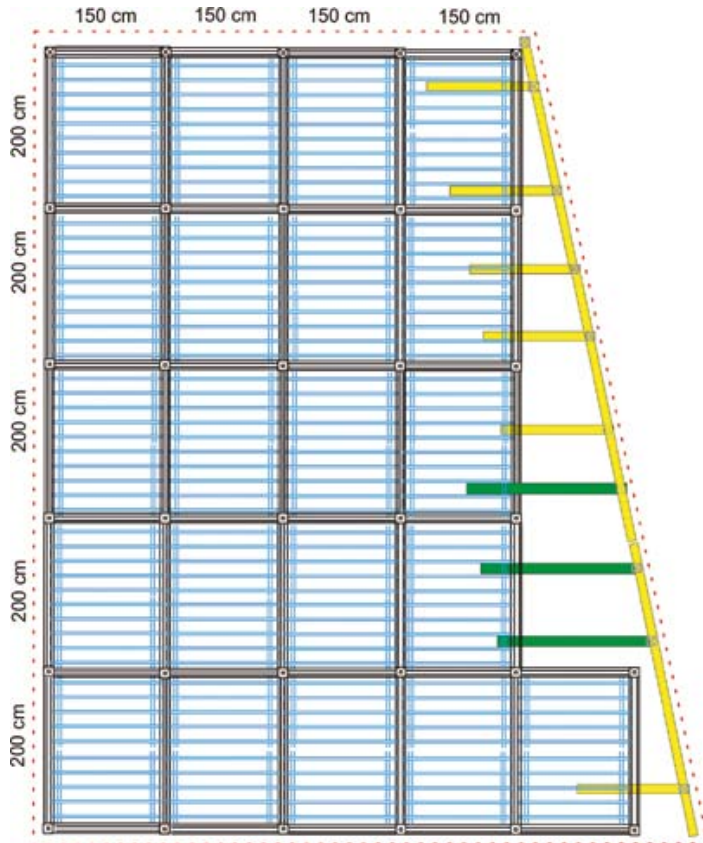


The alignment of the formwork shell does not affect correct assembly.



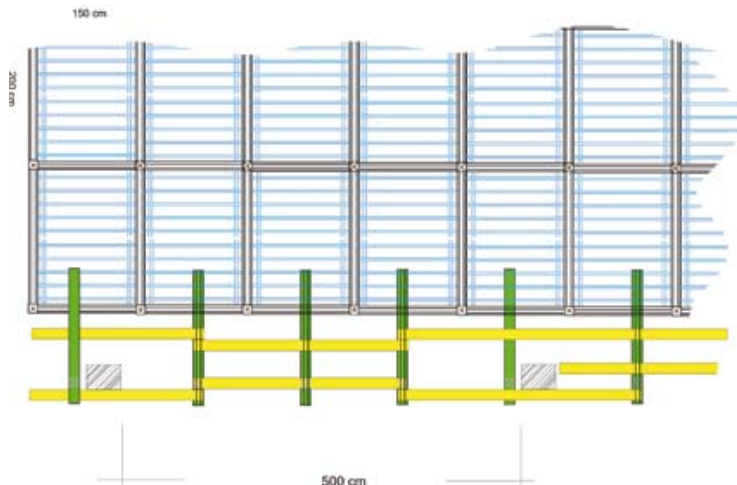
Off-square formwork areas

The VELOX formwork system offers multiple solutions for off-square formwork surfaces where the standard grid is not used.



VELOX beam with stop-end angle and integrated safety parapet.

VELOX beams with stop-end angle and safety parapets can be used for formwork surfaces between columns.



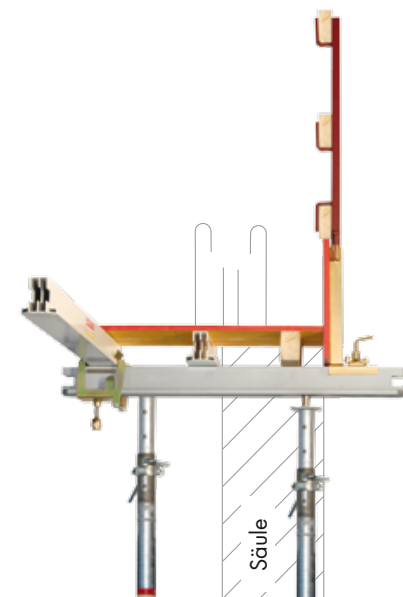
Intersection solution with traditional props



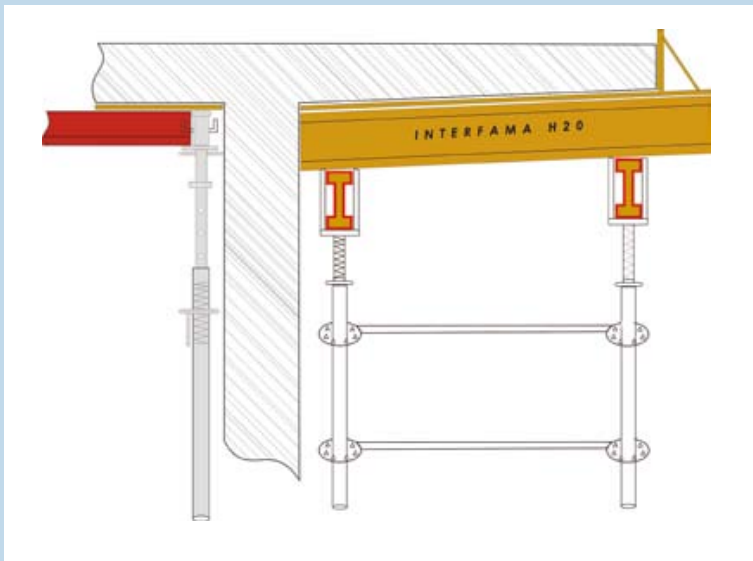
Intersection on wall



Compensation with beam and stop-end angle



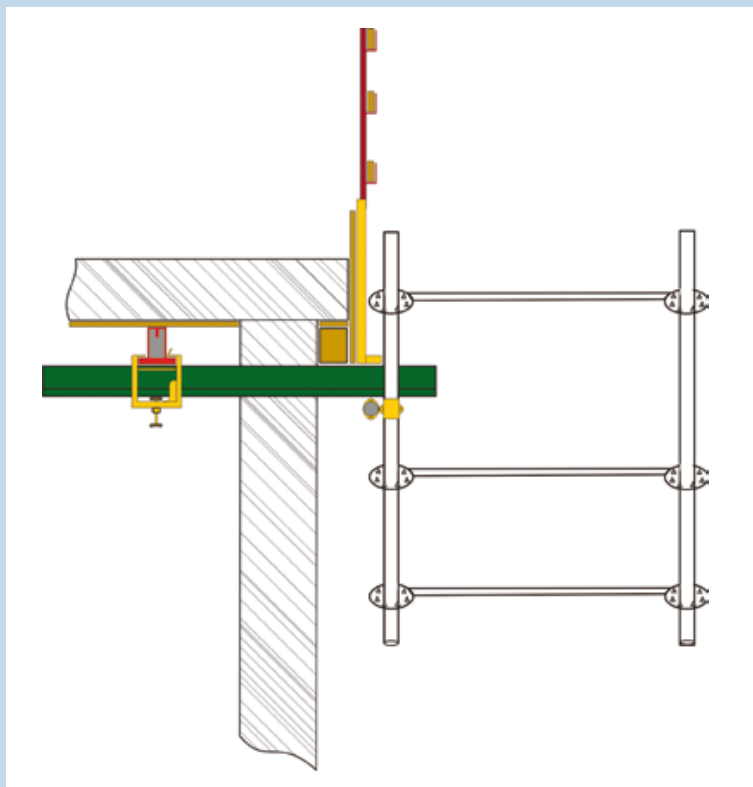
Solution for buildings using frame construction method.



Specific solutions

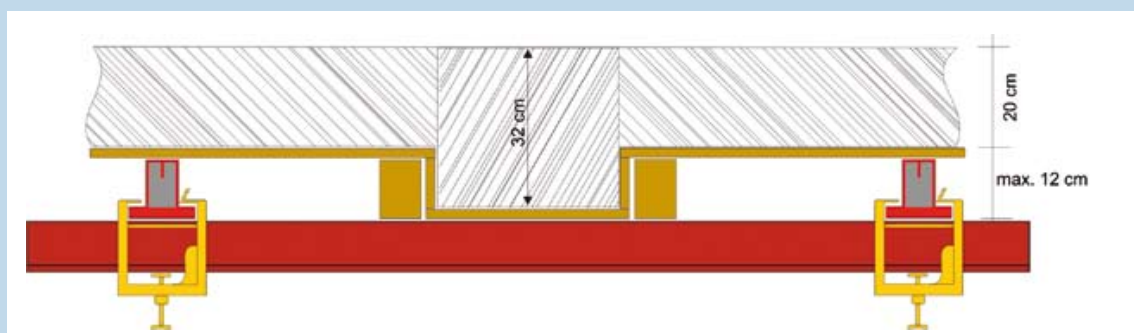
Projecting balconies

Formwork for balconies or roof coverings without bolster but where scaffolding is present.



Extended ceilings

Where the ceiling formwork rests on the scaffolding.



Mounting for ceiling joists